

SBM 40 C B

Vue 3D

DT208

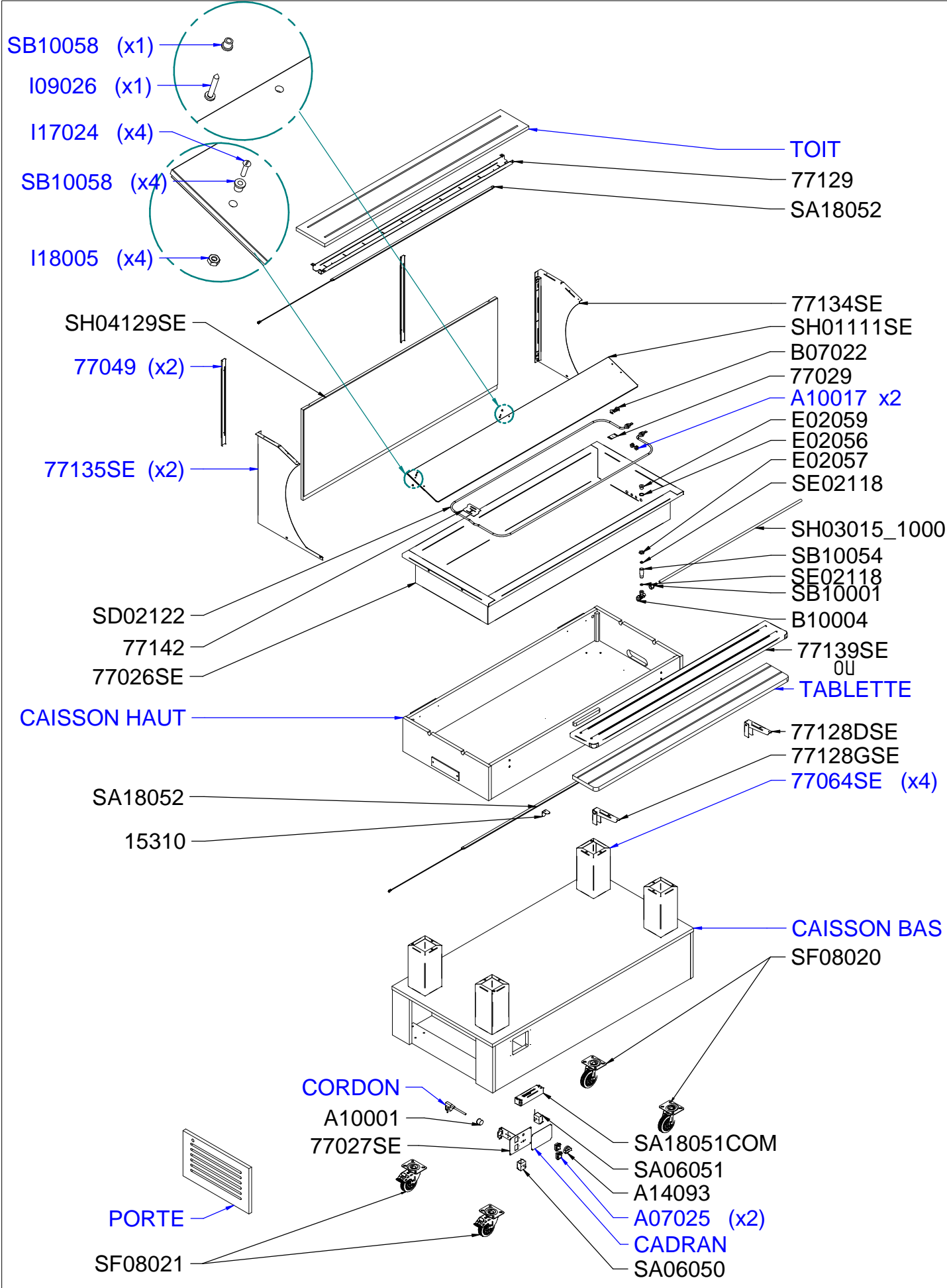
Date :
21/09/2018

Dessiné par :
R.L

Approuvé par :
R.Schoenberger

Date :
21/09/2018

Indice
B



SBM 40 C B

Vue éclatée

| | | | | | |
|-------|----------------------|----------------------|----------------|----------------------|-------------|
| DT208 | Date : 21/09/2018 | Dessiné par : R.L | Approuvé par : | Date : 21/09/2018 | Indice B |
|-------|----------------------|----------------------|----------------|----------------------|-------------|

| CODE | QTE | PIECE | SPARE PART |
|-----------------------------------|-----|--|--|
| 15310 | 1 | BRIDE ISOLANT FCV 280 | INSULATION HOLDER FCV 280 |
| 77026SE | 1 | CUVE SALAD'BAR CHAUD | CONTAINER HOT SALAD'BAR |
| 77027SE | 1 | TABLEAU COMPOSANT SALAD'BAR CHAUD | CONTROL PANEL HOLDER WARMING SALAD'BAR |
| 77029 | 1 | SUPPORT BULBE THERMOSTAT SALAD'BAR CHAUD | THERMOSTAT BULB HOLDER SBC |
| 77049 | 2 | CACHE FIL LED SALAD'BAR MURAL | COVER WIRE LED |
| 77064SE | 4 | S/E PLOT INOX SALAD'BAR | STAINLESS STEEL STUD ASSEMBLY SLB |
| 77128DSE | 1 | S/E CHARNIERE DROITE SALAD'BAR | RIGHT HINGE ASSEMBLY SALAD'BAR |
| 77128GSE | 1 | S/E CHARNIERE GAUCHE SALAD'BAR | LEFT HINGE ASSEMBLY SALAD'BAR |
| 77129 | 1 | TRAVERSE TOIT SB 40 | ROOF CROSSING SB 40 |
| 77134SE | 1 | S/E MONTANT DROIT SBM | RIGHT UPRIGHT ASSEMBLY SBM |
| 77135SE | 1 | S/E MONTANT GAUCHE SALAD'BAR MURAL | LEFT UPRIGHT ASSEMBLY SBM |
| 77139SE | 1 | S/E TABLETTE INOX SB 40 | STAINLESS STEEL SHELF ASSEMBLY SB 40 |
| 77142 | 1 | SERRE RESISTANCE SALAD'BAR CHAUD/MIXTE | HEATING ELEMENT HOLDER SB 40 |
| A07025 | 2 | INTERRUPTEUR NOIR ETANCHE BIP 20A/250V | BLACK SWITCH BIP 20A/250V |
| A08009 | 1 | VOYANT VERT DIAM 12 | GREEN PILOT LIGHT DIAM 12 |
| A10001 | 1 | SERRE CABLE PA 107 | CORD CLOSER PA 107 |
| A10017 | 2 | PRESSE ETOUPE | SEAL |
| A14093 | 1 | BOUTON NOIR FOUR 26 L 12H | BLACK KNOB OVEN 26 L 12H |
| B07022 | 1 | CLIPS SUPPORT DE BULBE RF | CLIPS HOLDER BULB |
| B10004 | 1 | ROBINET | TAP |
| CADRAN | 1 | CADRAN | FRONT PANEL |
| CORDON | 1 | CORDON | CORD |
| E02056 | 1 | JOINT CAOUTCHOUC 17 x 23 | RUBBER SEAL 17 x 23 |
| E02057 | 1 | CONTRE ECROU | LOCK NUT |
| E02059 | 1 | BAGUE 3/8 | RING 3/8 |
| I09026 | 1 | TOLE POZ 3.5X22 INOX | STEEL SCREW 6 x 22 |
| I17024 | 4 | VIS POELIER M 3 x 12 | SCREW M 3 x 12 |
| I18005 | 4 | ECROU HU DIAM 3 INOX | STEEL NUT DIAM 3 |
| SA06050 | 1 | THERMOSTAT REGULATION | REGULATION THERMOSTAT |
| SA06051 | 1 | THERMOSTAT SECURITE | SAFETY THERMOSTAT |
| SA18051COM | 1 | ALIMENTATION LED ASSEMBEE 60 W 12 V | ASSEMBLY LED ALIMENTATION 60 W 12 V |
| SA18052 | 2 | TUBE LED 1150 mm | LED TUBE Lg 1150 mm |
| SB10001 | 1 | RACCORD ROBINET SLB | TAP FITTING SLB |
| SB10054 | 1 | RALLONGE CUVE SALAD'BAR | EXTENSION TANK SALAD'BAR |
| SB10058 | 5 | BAGUE PLASTIQUE | PLASTIC RING |
| SD02122 | 1 | RESISTANCE 3000 W 230 V | HEATING ELEMENT 3000 W 230 V |
| SE02118 | 2 | JOINT 12 x 17 | SEAL 12 x 17 |
| SF08020 | 2 | ROULETTE NOIRE SS FREIN Diam 100 | BLACK WHEEL WITHOUT BRAKE Diam 100 |
| SF08021 | 2 | ROULETTE NOIRE + FREIN Diam 100 SLB | BLACK WHEEL WITH BRAKE Diam 100 SLB |
| SH01111SE | 1 | VERRE 1420 x 215 Ep 5 mm SLB 40 | GLASS 1420 x 215 Ep 5 mm SLB 40 |
| SH03015_1000 | 1 | TUYAU SILICONE 8 x 12 | SILICONE PIPE 8 x 12 |
| SH04129SE | 1 | S/E SUPPORT BOIS + MIROIR SLB MURAL | GLASS + WOOD HOLDER ASSEMBLY SBM |
| PIECE / SPARE PART | | COULEUR / COLOR: | ACAJOU / WENGE / CHENE CLAIR / BLANC |
| MEUBLE COMPLET | | | SH04127 / SH04125 / SH04124 / SH04126 |
| MEUBLE COMPLET ss tablette | | | SH04127TI / SH04125TI / SH04124TI / SH04126TI |
| CAISSON BAS | 1 | | SH04127X1 / SH04125X1 / SH04124X1 / SH04126X1 |
| CAISSON HAUT | 1 | | SH04127X2 / SH04125X2 / SH04124X2 / SH04126X2 |
| PORTE | 1 | | SH04127X5 / SH04125X5 / SH04124X5 / SH04126X5 |
| TABLETTE | 1 | | SH04051 / SH04057 / SH04054 / X |
| TOIT | 1 | | SH04065 / SH04064 / SH04063 / SH04014 |

SBM 40 C B

Nomenclature

DT208

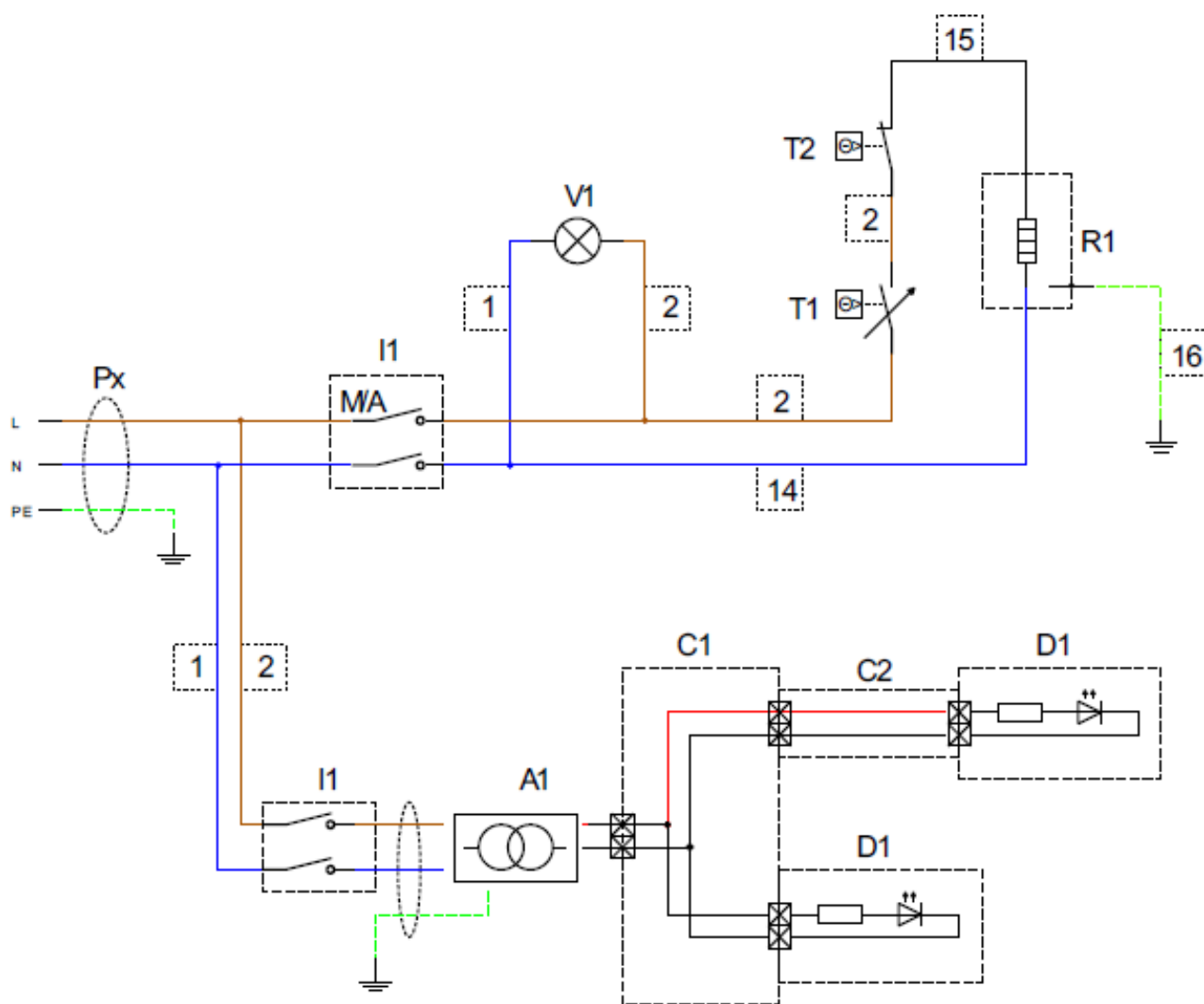
Date :
21/09/2018

Dessiné par :
R.L

Approuvé par :
J.Godéré

Date :
21/09/2018

Indice
B



| ID | Reference | Designation | Qty |
|----|-----------------|--|-----|
| Px | cf nomenclature | Cordon d'alimentation / Power supply cable | 1 |
| I1 | A07025 | Interrupteur Bipolaire / Bipolar switch 20A/250V | 1 |
| V1 | A08009 | Voyant vert / Green pilot light | 1 |
| T1 | SA06050 | Thermostat de régulation / Regulation thermostat (30 - 95°C) | 1 |
| T2 | SA06051 | Thermostat de sécurité / Security thermostat (110°C) | 1 |
| R1 | SD02122 | Résistance chauffante / Heating element 3000W | 1 |
| A1 | SA1805100M | Alimentation Led / Led power supply | 1 |
| C1 | SA18040 | Adaptateur / Adaptator 1x6.35 - 2xJST L=150mm | 1 |
| C2 | SA18042 | Rallonge / Extension JST L=2500mm | 1 |
| D1 | SA18052 | Led L=1150mm | 2 |
| 1 | SC02227 | Fil bleu / Blue wire H05 VK 1.5 L=200mm | 2 |
| 2 | SC02228 | Fil marron / Brown wire H05 VK 1.5 L=200mm | 4 |
| 14 | SC02240 | Fil bleu / Blue wire H05 VK 1.5 200°C L=2300mm | 1 |
| 15 | SC02241 | Fil noir / Black wire H05 VK 1.5 200°C L=2300mm | 1 |
| 16 | SC02242 | Fil vert-jaune / Yellow-green wire H05 VK 1.5 200°C L=2300mm | 1 |

SBM 40 C B

Schéma électrique
ED00003

DT208

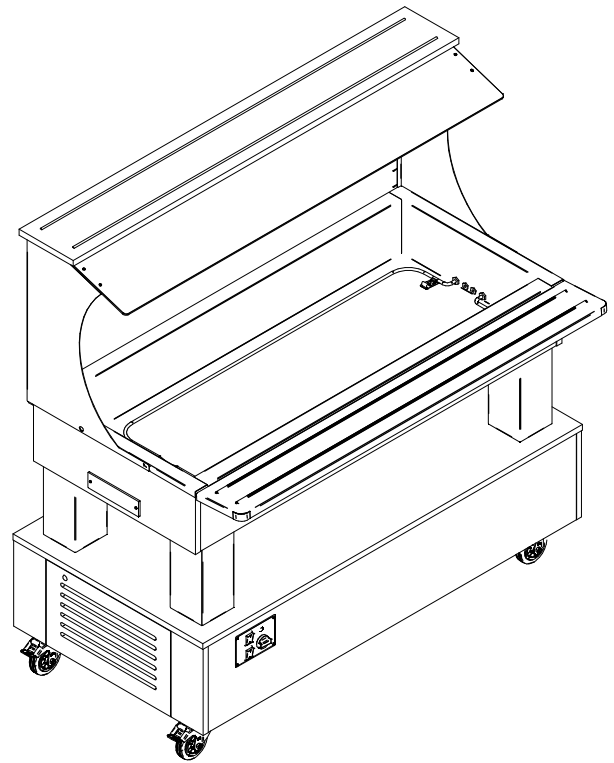
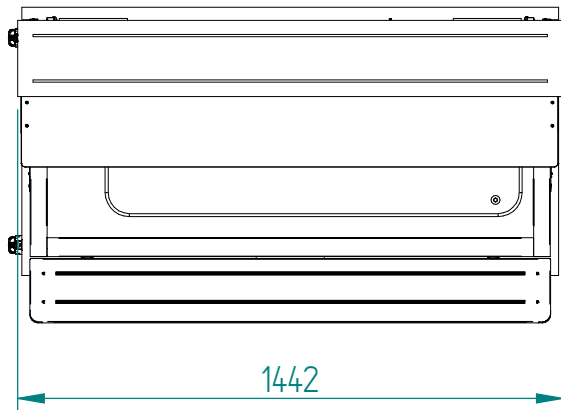
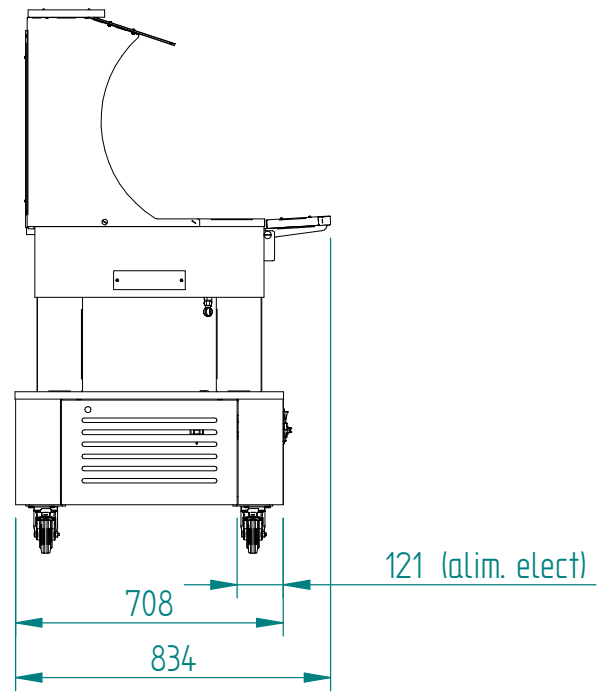
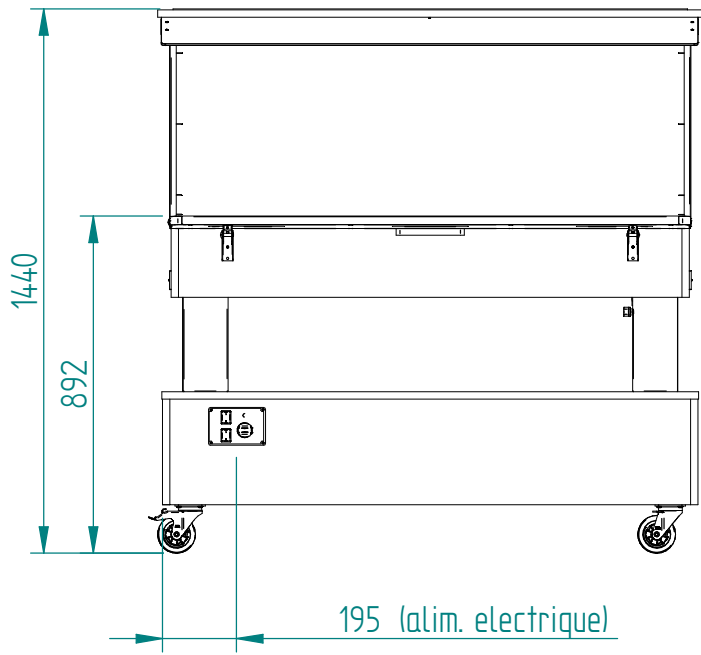
Date :
21/09/2018

Dessiné par :
R.L

Approuvé par :

Date :
21/09/2018

Indice
B



SBM 40 C B

Mise en plan

DT208

Date :
21/09/2018

Dessiné par :
R.L

Approuvé par :

Date :
21/09/2018

Indice
B

Produit concerné :

| Code | Cordon / Cord | Cadran / Front Panel | Tablette inox / Stainless stell shelf |
|-------------|----------------------|-----------------------------|--|
| P05706D01 | C03007 | G06825 | 77139SE |
| P05710D01 | C03007 | G06825 | 77139SE |
| P05714D01 | C03007 | G06825 | 77139SE |
| P05714D02 | C03007 | G06825 | 77139SE |

SBM 40 C B

Cadran

DT208

Date :
21/09/2018

Dessiné par :
R.L

Approuvé par :
J.Godéré

Date :
21/09/2018

Indice
B