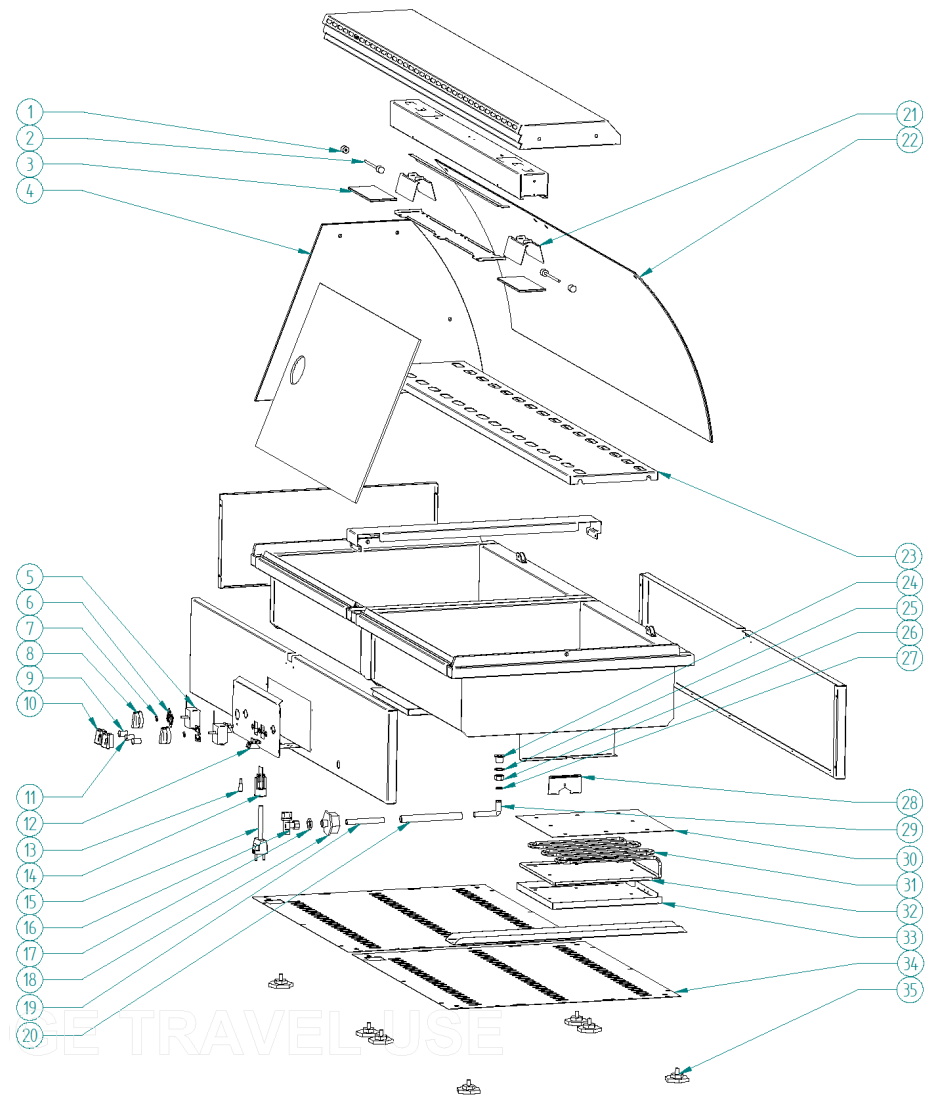


**INSTRUCTIONS FOR USE AND INSTALLATION
BAINS MARIE DISPLAYS
BMV 2 / BMV 3 / BMV 4**



Made in France



TRAVEL USE

Rep	Code	Qty	Pièce	Spare part
1	A18011	4	Douille halogène	Halogen socket
2	A18002	2	Lampe halogène	Halogen lamp
3	H01032	2	Glace protection lampe	Glass lamp cover
4	H01080	2	Glace côté	Side glass
5	A06021	2	Thermostat	Thermostat
6	74025	2	Butée thermostat	Thermostat stop
7	40301	2	Came minuterie	Timer stop
8	A14111	2	Bouton 6 H	Knob 6 H
9	A08003	2	Voyant orange	Orange pilot light
10	A07025	2	Interrupteur	Switch
11	A08009	1	Voyant vert	Green pilot light
12	A16012	2	Bornier 2 plots	Two holes domino
13	C05018	1	Borne équipotentielle	Equipotential terminal
14	A10001	1	Serre cable	Cord closer
15	C03013	1	Cordon avec prise	Cord with plug
16	B10004	2	Robinet	Tap
17	E02055	2	Ecrou 12/17	Screw 12/17
18	E02070	2	Union	Union
19	B10007	2	Tube cuivre	Copper pipe
20	H03020	1	Tube silicone	Silicon pipe
21	40283	2	Réflecteur lumière	Light reflector
22	H01079	1	Glace bombée	Curved glass
23	40281	1	Etagère	Shelf
24	E02059	2	Bague 3/8	Ring 3/8
25	E02056	2	Joint caoutchouc 17 x 23	Ruber seal 17 x 23
26	E02057	2	Contre écrou 12/17	Screw 12/17
27	E02053	4	Joint caoutchouc 15 x 9	Rubber seal 15 x 9
28	40302	2	Serre bulbe thermostat	Thermostat bulb holder
29	B04009	2	Tuyau	Copper pipe
30	65003	2	Plaque aluminium	Aluminium plate
31	D02169	2	Résistance	Heating element
32	65004	2	Serre résistance	Heating element holder
33	65005	2	Cache isolant	Insulation protection
34	40243	2	Fond de socle	Bottom casing
35	A13009	8	Pied	Foot

Congratulations for the acquisition of this upmarket appliance made in France. You chose an appliance which alloys the best technical qualities with a big user-friendliness. We wish you the biggest contentment

1. SECURITY INSTRUCTIONS

Please respect these instructions scrupulously to avoid any risk of fire, electric shock, scald or other wounds and damage. During the use of this appliance, fundamental circumspection of security must always be noticed, such as:

- Take into account the instructions to be systematically kept with the appliance.
- Install the appliance always in instructions respect. A 10 cm distance minimum with the partition or the wall is necessary.
- Protect the appliance from direct light of the sun, frost and humidity.
- Never leave the appliance within the reach of children or disabled persons without surveillance.
- Never move the appliance when it is working
- Check that the appliance is definitely off before connecting it up or disconnecting it.
- Do not touch the hot surfaces of the appliance. The temperature of the hot surfaces can be very important when the appliance is working. Always use handles and control knobs.
- Do not use the appliance for other functions than determined use.
- Do not leave the cord of electrical feeding in the contact of hot surfaces.
- The appliance should not be used close to combustible materials.
- During use, look after not to obstruct hearings of aeration of the appliance.
- Never connect your bain-marie before having filled the container with water. The recommended level is between mini and maxi position
- Always check water level and add some if necessary.
- To avoid any electric shock, never plunge the appliance, the cord or plug in water or quite other liquid.
- If the cord is harmed, it must be replaced by the producer, his after sale service or persons of similar skills to avoid any risk.
- Entrust compensations only to a skilled person.
- Use only spare parts of origin.
- At the end of cooking, before cleaning the appliance, do not forget to disconnect it.

2. CONTENTS OF CARDBOARD PACKAGING

Device: a bain-marie display

Accessories: - The present note

Options : 2 containers GN 1/1 for BMV 2, 3 containers GN 1/1 for BMV 3 and 4 containers GN 1/1 for BMV 4

See exploded views of BMV 2 / BMV 3 / BMV 4 at the end of the document.

3. CONFORMITY OF USE

Use the device only to cook or keep warm vegetables, soups...and other meals

4. WAY OF FUNCTIONING

These 3 bain-marie displays, completely panoramic, mixing the heating from the bottom bain-marie with the top halogen lamp enable you to keep vegetables, rice, soups.... Warm while following hygienic standards

Heating elements underneath the container avoids apparition of fur and a system of aluminium plate optimized the heating transfer.

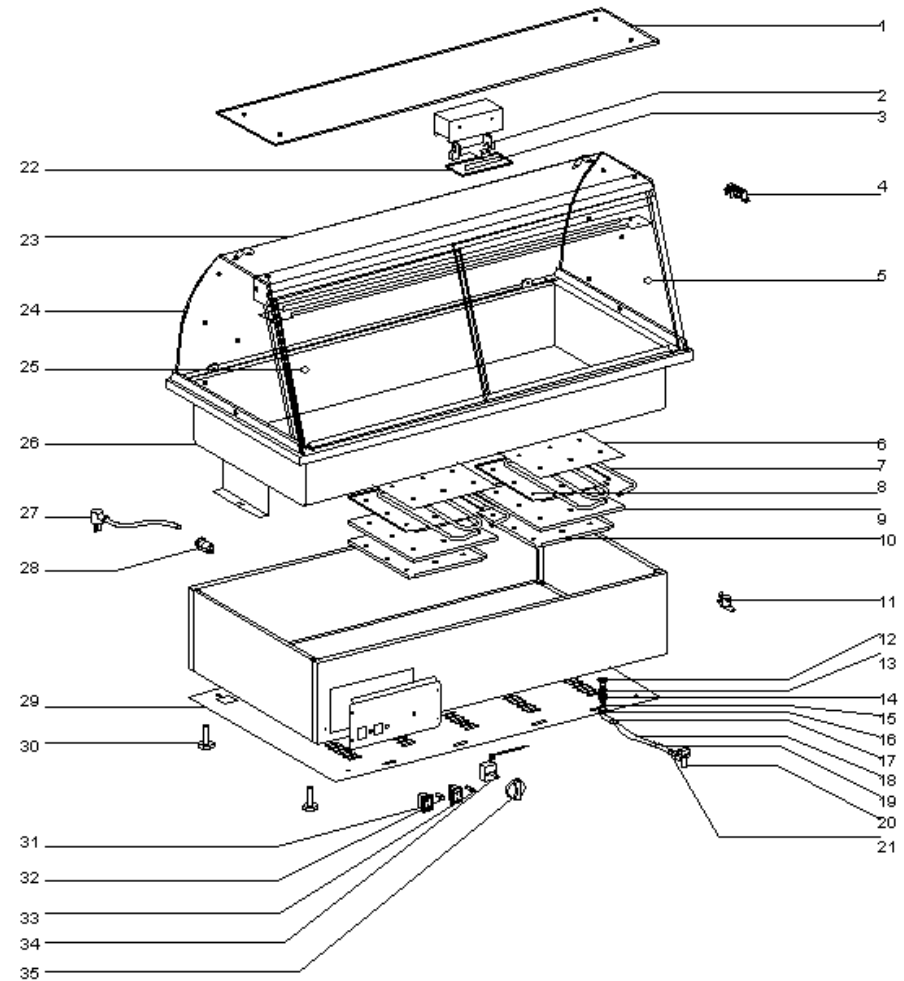
The complete draining is possible thanks to the tap placed on the front of the device . Thanks to the stainless steel construction, it is possible to built-in these displays in a cooking table

Functioning of BMV 2 and BMV 3 :

To turn on your bain-marie, press the switch (n°3 on picture) placed between the two pilot lights on. Turn on the thermostat control knobs (n°5 on picture) on the wished position (put the thermostat on maximum position won't accelerate the warming up of your machine).

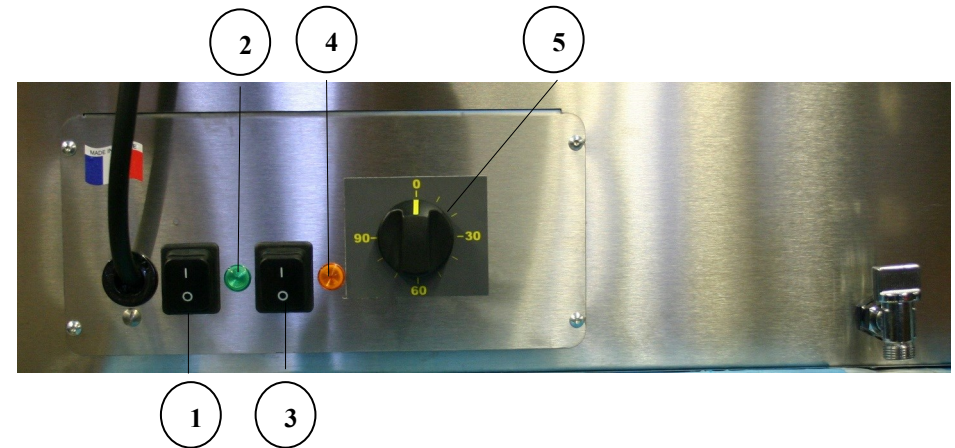
When water reached the wished temperature, the orange pilot light (n°4 on picture) switches off, you can use your machine.

To light up the halogen lamp, press the switch (n° 2 on picture) placed on the left side of the green pilot light



Nomenclature **BMV 3**
Spare parts **BMV 3**

Rep	Code	Qty	Pièce	Spare part
1	40295	1	Toit	Roof
2	A18011	2	Douille halogène	Halogen socket
3	A18002	1	Lampe halogène	Halogen lamp
4	A16012	2	Bornier 2 plots	Two holes domino
5	H01054	1	Porte avant droite	Right front door
6	65003	2	Plaque aluminium	Aluminium plate
7	D02169	2	Résistance	Heating element
8	65004	2	Serre résistance	Heating element holder
9	H02028	2	Isolant	Insulation
10	65005	2	Cache isolant	Insulation protection
12	E02059	1	Bague 3/8	Ring 3/8
13	E02056	1	Joint caoutchouc 17 x 23	Rubber seal 17 x 23
14	E02057	1	Contre écrou 12/17	Screw 12/17
15	E02053	1	Joint caoutchouc 15 x 9	Rubber seal 15 x 9
16	E02055	1	Ecrou 12/17	Screw 12/17
17	B04009	1	Tuyau	Copper pipe
18	H03020	1	Tube silicone	Silicon pipe
19	B10007	1	Tube cuivre	Copper pipe
20	B10004	1	Robinet	Tap
21	E02070	1	Union	Union
22	H01032	1	Glace protection lampe	Glass lamp cover
23	H01008	1	Glace	Glass
24	H01080	2	Glace côté	Side glass
25	H01055	1	Porte avant gauche	Left front door
26	40223SE	1	Cuve	Tank
27	C03013	1	Cordon avec prise	Cord with plug
28	A10001	1	Serre cable	Cord closer
29	40229	1	Fond de socle	Bottom casing
30	A13009	4	Pied	Foot
31	A07025	2	Interrupteur	Switch
32	A08009	1	Voyant vert	Green pilot light
33	A08003	1	Voyant orange	Orange pilot light
34	A06021	1	Thermostat	Thermostat
35	A14111	1	Bouton	Knob
	40237	1	Etagère	Shelf



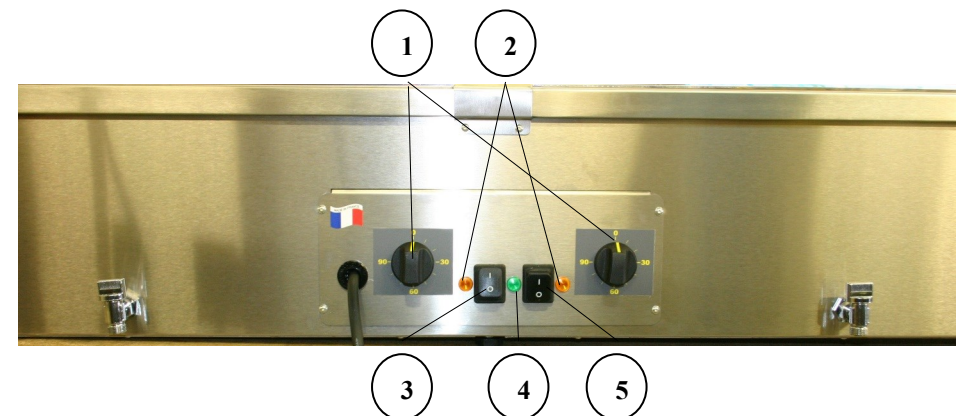
Functioning of BMV 4 :

The BMV 4 is fitted with 2 independent containers, two thermostats, two switches, one on/off switch and two thermostatic pilot lights

To turn on your bain-marie, press the switch (n°5 on picture) placed on the right side of the green pilot light (n° 4 on picture) on. Turn on the thermostat control knobs (n°1 on picture) on the wished position (put the thermostat on maximum position won't accelerate the warming up of your machine).

When water reached the wished temperature, the orange pilot lights (n°2 on picture) switch off, you can use your machine.

To light up the halogen lamp, press the switch (n° 3 on picture) placed on the left side of the green pilot light



5. FUNCTIONING / MANIPULATION

a) Installation / assembly:

- Unpack carefully the device of its packaging.
- Place the bain-marie on a plane and heatproof surface. This machine can not be used placed directly on the floor
- Never place the device near a wall or near a partition makes of combustible materials even if it is very well isolated.
- A distance of minimum 10 cm with the partition or the wall is necessary.
- Place the machine to enable easy access to the plug.
- Remove the protective films from the plastic doors.

b) First starting:

Clean the device before the first use. (See 6 Cleaning)

Always filled in the container before connecting the device

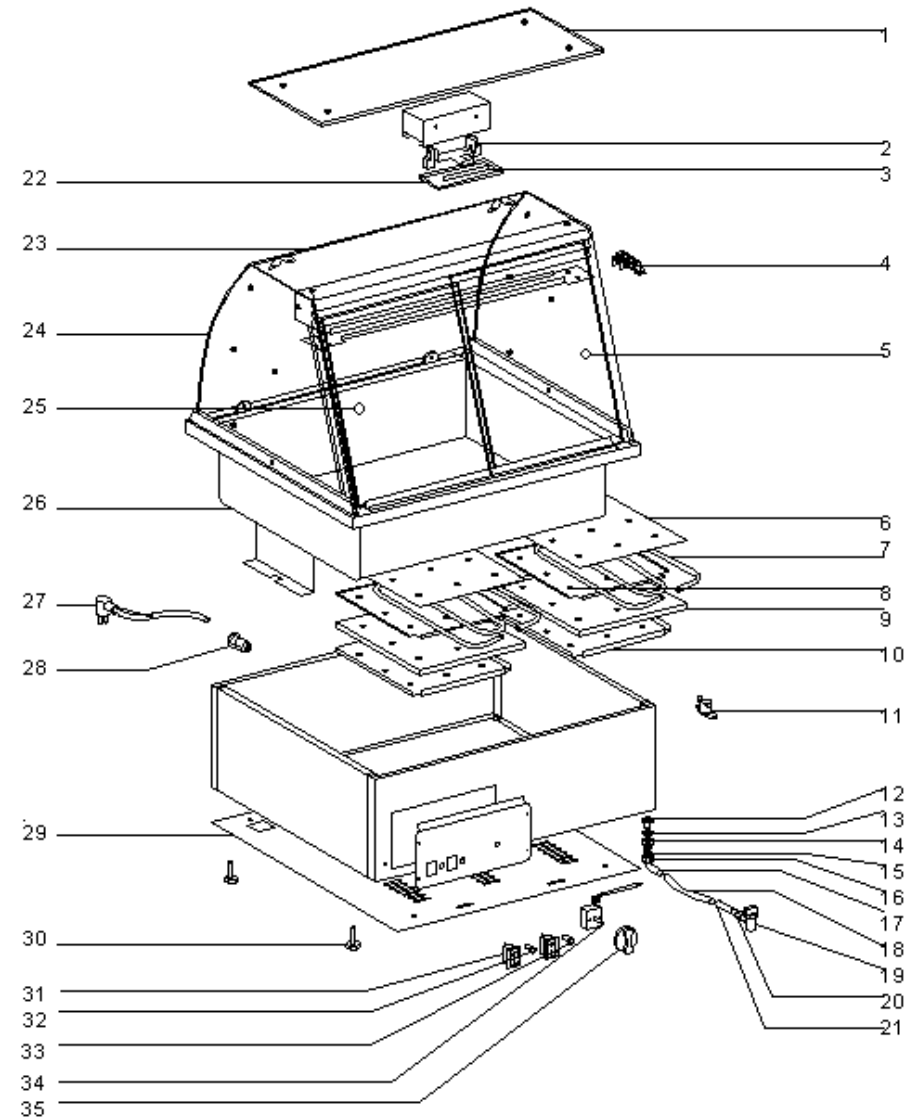
Use advice

- Check the level of water regularly
- Never use the machine without water, it can destroy the heating element and cause an irreversible deformation of the container
- During a prolonged non-use (several days), we recommend you strongly to empty the container to avoid evaporation of water and scale deposit.
- To avoid quick evaporation, cover the whole tank with containers or lids.

Connection of the device

- Check that the tension and the frequency of the electricity network suit to the values indicated on the descriptive plate.
- Always check that neither the cord nor the plug are harmed or damaged.
- Make sure that every control knob is positioned on 0.
- Unwind completely the electric power cable and connect it in a plug connected with the earth.
- The device is connected.

NB: in case of connection of the device in a plug without earth protection or directly on the electricity network, confide the connection of the device to a qualified person .



Nomenclature **BMV 2**
Spare parts **BMV 2**

Rep	Code	Qty	Pièce	Spare part
1	40294	1	Toit	Roof
2	A18011	2	Douille halogène	Halogen socket
3	A18002	1	Lampe halogène	Halogen lamp
4	A16012	2	Bornier 2 plots	Two holes domino
5	H01052	1	Porte avant droite	Right front door
6	65003	2	Plaque aluminium	Aluminium plate
7	D02169	2	Résistance	Heating element
8	65004	2	Serre résistance	Heating element holder
9	H02028	2	Isolant	Insulation
10	65005	2	Cache isolant	Insulation protection
12	E02059	1	Bague 3/8	Ring 3/8
13	E02056	1	Joint caoutchouc 17 x 23	Ruber seal 17 x 23
14	E02057	1	Contre écrou 12/17	Screw 12/17
15	E02053	1	Joint caoutchouc 15 x 9	Rubber seal 15 x 9
16	E02055	1	Ecrou 12/17	Screw 12/17
17	B04009	1	Tuyau	Copper pipe
18	H03020	1	Tube silicone	Silicon pipe
19	B10004	1	Robinet	Tap
20	E02070	1	Union	Union
21	B10007	1	Tube cuivre	Copper pipe
22	H01032	1	Glace protection lampe	Glass lamp cover
23	H01010	1	Glace	Glass
24	h01080	2	Glace côté	Side glass
25	H01053	1	Porte avant gauche	Left front door
26	40225SE	1	Cuve	Tank
27	C03013	1	Cordon avec prise	Cord with plug
28	A10001	1	Serre cable	Cord closer
29	40243	1	Fond de socle	Bottom casing
30	A13009	4	Pied	Foot
31	A07025	2	Interrupteur	Switch
32	A08009	1	Voyant vert	Green pilot light
33	A08003	1	Voyant orange	Orange pilot light
34	A06021	1	Thermostat	Thermostat
35	A14111	1	Bouton	Knob
	40245	1	Etagère	Shelf

c) Use of device :

Elements of command and display

Command/Display	Function
Switch 0/I Warming	On/off
Thermostat	Temperature setting
Green pilot light	Machine on (pilot light on) Machine off (pilot light off)
Orange pilot light	Water is warming up (pilot light on) Wished temperature reached (pilot light off)
Switch 0/I Light	On/off

Putting on

Press the switch on (n°3 on picture for BMV 2 and BMV 3 and n° 5 on picture for BMV 4). The green pilot light ignites.

Turn the thermostat control knob on the wished position: the orange pilot light is on: water is warming up.

When selected temperature is reached, the orange pilot light switches off.

Temperature setting

Select the temperature by positioning the thermostat control knob on the wished temperature.

Attention : if the temperature is too high, water is going to evaporate quickly.

Think to cover the whole tank with containers or lids to limit evaporation of water.

Stopping the device

Set the thermostat control knob on 0.

Press the switches on 0 : the device is completely off.

Disconnect the device.

Let the device cool.

Clean it (See 6. Cleaning)

d) Breakdown / repair:

In case of breakdown or of damaged part, please call your after-sales service and confide any technical operation to qualified person.

When you contact the after-sales service of your Distributor or your store, give him the complete reference of your device (commercial, typical name and serial number). This information appears on the visible descriptive plate behind the device.

6. CLEANING AND MAINTENANCE

Disconnect the device.

- Let cool completely the device before any technical intervention or cleaning.

- Clean regularly the external walls of your device with of warm water and wash liquid: avoid the abrasive towelling. Rinse your device with a wet sponge.
- Never clean the device under a water jet, the infiltrations would risk to damage it in a irreparable way.
- Never immerse the device, the cordon or the plug in the water or quite other liquid to avoid any electric shock.
- Regularly change the water to avoid any scale deposit
- Never use abrasive product or vinegar; it could damage the container in irremediable way.

7. TECHNICAL SPECIFICATIONS

Models	BMV 2	BMV 3	BMV 4
Outside dimensions mm	700x645x700	1025x645x700	1400x630x700
Weight	45 Kg	55 kg	65 kg
Power	3500 W	3500 W	3500 W
Nb element	2	2	2
Current	15 A	15 A	15 A
Voltage	220-240 V ~	220-240 V ~	220-240 V~

Wires colour correspondance

Phase	Brown / Black / Grey
Neutral	Blue
Earth	Yellow-Green

8. NORMS AND LEGALS DISPOSALS

The device is conform to :

IEC/EN 60335-1
 IEC/EN 60335-2-50
 EN 55014-1 + 55014-2
 EN 61000-3-2 + 61000-3-3

9. ELIMINATION OF THE ELECTRIC AND ELECTRONIC WASTE

The device respects the directives:

2002 / 96 / CE (DEEE) N°34270064800021
 2002 / 95 / CE (ROHS)
 2006/95 CE
 2004/108 CE



Reach rule

Never put the device among household waste.

The device must be put down in a centre of recycling for the electric equipment's .

The materials of the device are indeed reusable. By eliminating correctly the electric and electronic wastes, the recycling and quite other shape of re-use of worn equipment's, you participate in a significant way in the environmental protection.

For any information about the collection of electric and electronic waste, please contact your distributor.

10. GUARANTEE

Conditions of guarantee

The guarantee applicable to any device is the commercial guarantee of the distributor or the retailer. Please contact the store where you bought your device to know the precise conditions.

The guarantee grants no right for damages.

The dispositions which follow are not exclusive of the profit of the legal guarantee planned by articles 1641 and following ones of the Civil code relative to the defects and the latent defects.

Exclusion clauses of the guarantee

Bad installation and bad cleaning, in particular if they do not respect regulations or instructions appearing in this user guide.

Cannot benefit from the guarantee the repairs required as a result of false operations, of inappropriate use, of carelessness or of excess loads of the device, as well as those resulting from variations of the power supply, over tension or from defective installations.

The damage due to shocks, bad weather is not flatware by the guarantee. The material travels at the risks of the user; in case of delivery by carrier, the consignee has to have reservations towards the carrier before any delivery of the device.

The guarantee comes to an end in case of intervention, of repair, of modification by no qualified persons, or of use in inappropriate purposes.