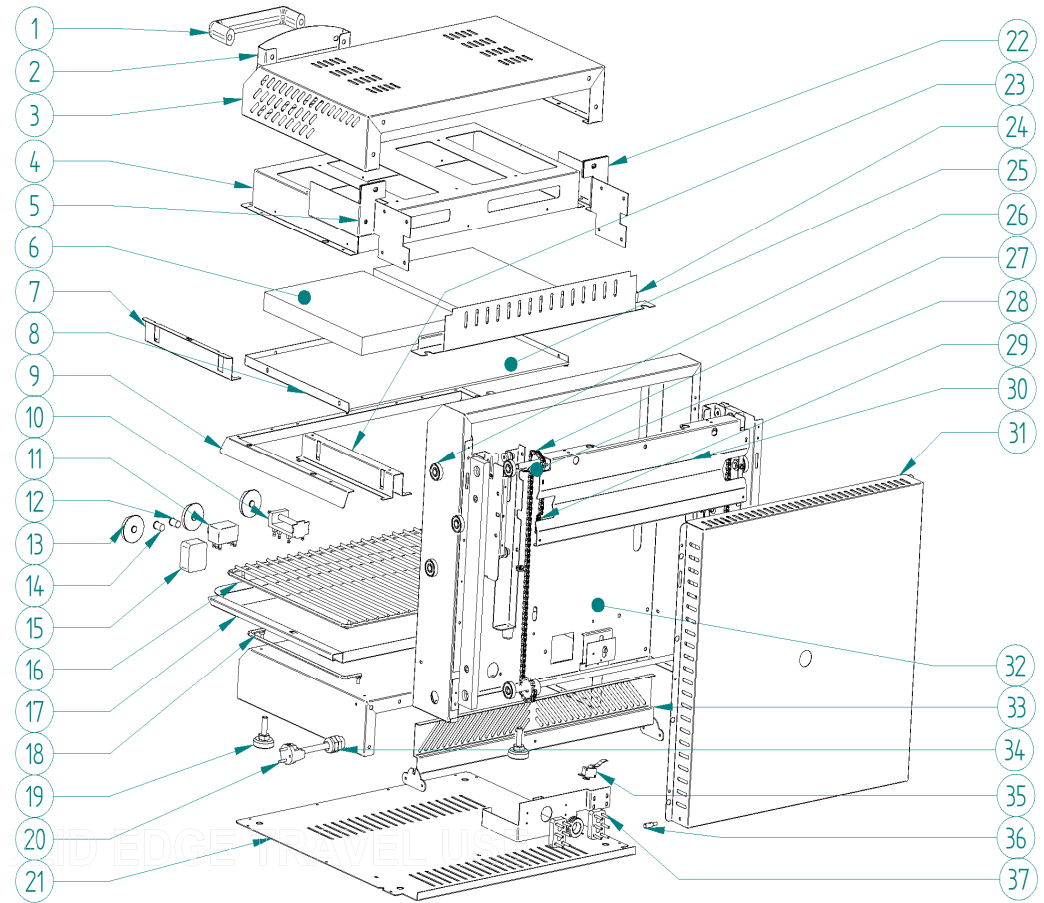


**INSTRUCTIONS FOR USE AND INSTALLATION
ELECTRIC SALAMANDER
SEM 600 PDS**



Made in France

Nomenclature SEM 600 PDS
Spare parts SEM 600 PDS



SALAMANDER SEM 600 PDS

Rep	Code	Qty	Pièce	Spare part
1	A15018	1	Poignée	Handle
2	72075	1	Ecarteur de poignée	Handle spacer
3	70112	1	Toit	Roof
4	70130	1	Réflecteur	Reflector
5	72062SE	1	Support toit droit	Right roof holder
6	D06009	2	Foyer	Ceramic chamber
7	70128	1	Entretoise foyer	Ceramic chamber spacer
8	70099	1	Cadre blocage	Frame holder
9	70111	1	Casquette	Deflector
10	A01016	1	Commutateur PDS	PDS commutator
11	A04006	1	Régulateur	Regulator
12	A08003	1	Voyant orange	Orange pilot light
13	A14078	3	Bouton 12 H	Knob 12 H
14	A08009	1	Voyant vert	Green pilot light
15	A01001/1	1	Commutateur	Commutator
16	F01071	1	Grille	Grid
17	70105	1	Plat	Tray
18	F02007	2	Glissière plat	Tray slide
19	A13006	4	Pied	Foot
20	C03013	1	Cordon avec prise	Cord with plug
21	70102	1	Fond de socle	Bottom casing
22	720616E	1	Support toit gauche	Left roof holder
23	70129	2	Blocage foyer	Ceramic chamber lock
24	70100	1	Cache arrière	Rear cover
25	H01073	1	Glace	Glass
26	B06017	10	Roulement	Ball bearing
27	B07028	2	Chaîne	Chain
28	B01002	4	Pignon	Gear wheel
29	B07004	2	Ressort	Spring
30	70097	1	Blocage contre poids	Counter weight lock
31	70098	1	Fond arrière	Back casing
32	70094	18	Contre poids	Counter weight
33	70122SE	1	Détecteur de plat	Tray sensor
34	A10032	1	Presse étoupe	Cord closer
35	A07037	1	Microswitch	Microswitch
36	C05018	1	Borne équipotentiel	Equipotential terminal
37	A16010	2	Plaque à borne	Terminal plate

Congratulations for the acquisition of this upmarket appliance made in France. You chose an appliance which alloys the best technical qualities with a big user-friendliness. We wish you the biggest contentment

1. SECURITY INSTRUCTIONS

Please respect these instructions scrupulously to avoid any risk of fire, electric shock, scald or other wounds and damage. During the use of this appliance, fundamental circumspection of security must always be noticed, such as:

- Take into account the instructions to be systematically kept with the appliance.
- Install the appliance always in instructions respect. A 50 cm distance minimum with the partition or the wall is necessary.
- Protect the appliance from direct light of the sun, frost and humidity.
- Never leave the appliance within the reach of children or disabled persons without surveillance.
- Never move the appliance when it is working or when the cooking surfaces are still hot.
- Check that the appliance is definitely off before connecting it up or disconnecting it.
- Do not touch the hot surfaces of the appliance. The temperature of the hot surfaces can be very important when the appliance is working. Always use handles and control knobs.
- Do not use the appliance for other functions than determined use.
- Do not leave the cord of electrical feeding in the contact of hot surfaces.
- The appliance should not be used close to combustible materials.
- During use, look after not to obstruct hearings of aeration of the appliance
- To avoid any electric shock, never plunge the appliance, the cord or plug in water or quite other liquid.
- If the cord is harmed, it must be replaced by the producer, his after sale service or persons of similar skills to avoid any risk.
- Entrust compensations only to a skilled person.
- Use only spare parts of origin.
- At the end of cooking, before cleaning the appliance, do not forget to disconnect it.

2. CONTENTS OF CARDBOARD PACKAGING

Device: a salamander
Accessories: - A tray
 - A grid
 - The present note

See exploded view at the end of the document.

3. CONFORMITY OF USE

Use the device only to defrost, brown, glaze, grill toasts, gratins, pizzas, onion soups... without pre-heating.

4. WAY OF FUNCTIONING

This salamander is fitted with two cooking areas, a removable inside tray, a commutator to select the cooking zone, an energy regulator to set the power and a plate detection system (PDS)

The top of the salamander is movable and enables you to adapt the cooking position to grill, glaze or brown your foodstuffs.

To turn on the salamander, just action the commutator (n°5 on picture) on one of the position according to the desired cooking zone to be used, set the energy regulator (n°2 on picture) on the desired power (the position C enables to obtain a continuous heating power).

Your salamander is fitted with a plate detection system (PDS/n°1 on picture). When the commutator is on position **Start**, the heating will automatically works when you place a plate or tray in contact with the plate detection system (n°6 on picture). To use this function, the energy regulator (n°2 on picture) has to be set on C position. If the PDS commutator (n°1 on picture) is on position 0, your salamander is running continuously and is regulated by the energy regulator. The green pilot light (n°4 on picture) indicates the salamander is on. The orange one (n°3 on picture) indicates the salamander is heating up.

Position 1 : Left area
Position 2 : Right area
Position 3 : Complete area.

Reach rule

Never put the device among household waste.
The device must be put down in a centre of recycling for the electric equipments.

The materials of the device are indeed reusable. By eliminating correctly the electric and electronic wastes, the recycling and quite other shape of re-use of worn equipments, you participate in a significant way in the environmental protection.

For any information about the collection of electric and electronic waste, please contact your distributor.

10. GUARANTEE

Conditions of guarantee

The guarantee applicable to any device is the commercial guarantee of the distributor or the retailer. Please contact the store where you bought your device to know the precise conditions.

The guarantee grants no right for damages.

The dispositions which follow are not exclusive of the profit of the legal guarantee planned by articles 1641 and following ones of the Civil code relative to the defects and the latent defects.

Exclusion clauses of the guarantee

Bad installation and bad maintenance, in particular if they do not respect current regulations or instructions appearing in this user guide.

Cannot benefit from the guarantee the repairs required as a result of false operations, of inappropriate use, of carelessness or of excess loads of the device, as well as those resulting from variations of the power supply, over tension or from defective installations.

The damage due to shocks, bad weather is not flatware by the guarantee. The material travels at the risks of the user; in case of delivery by carrier, the consignee has to have reservations towards the carrier before any delivery of the device.

The guarantee comes to an end in case of intervention, of repair, of modification by no qualified persons, or of use in inappropriate purposes.


7. TECHNICAL SPECIFICATIONS

Model	SEM 600 PDS
Voltage	220-240 V ~
Current	13 A
Power	3000 W
Weight	44 Kg
Nb element	2
Cooking surface	495x375 mm
Outside dimensions	600x590x590

We recommend to connect this equipment on a power socket of a capacity of **16A minimum**

Wires colours correspondence

Phase	↓	Brown / Black / Grey
Neutral		Blue
Earth	⚡	Yellow-Green

The equipotential connection marked by this symbol  must be linked with the equipotential conductive connection of your installation by means of a minimum conduction of a 2.5 mm² section.

8. NORMS AND LEGALS DISPOSALS

The device is conform to :

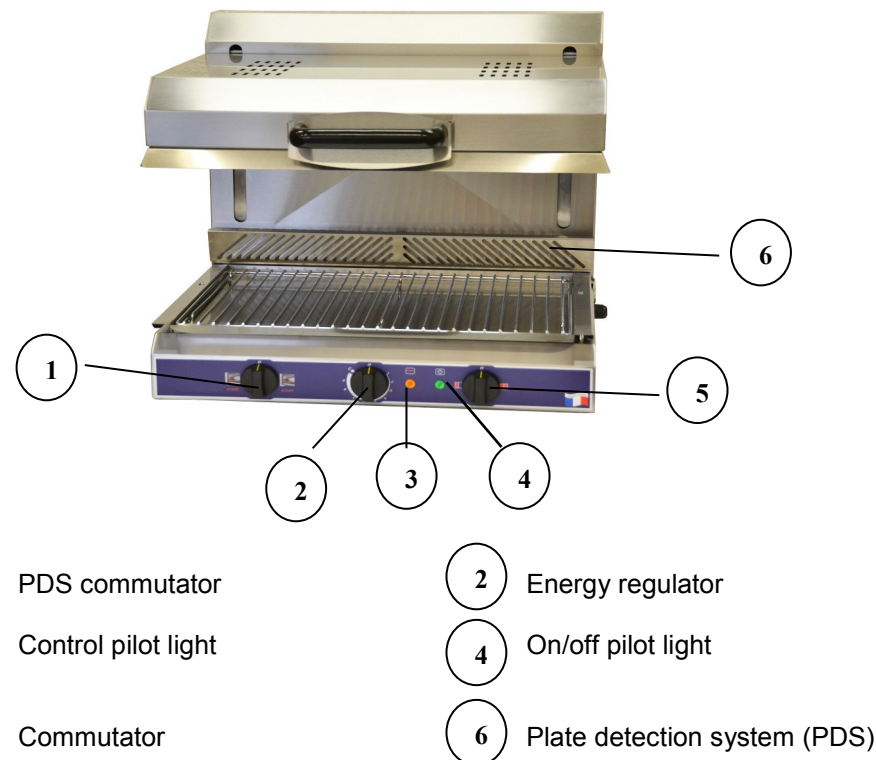
IEC/EN 60335-1
IEC/EN 60335-2-48
EN 55014-1 + 55014-2
EN 61000-3-2 + 61000-3-3

Humidity protection degrees IPX3, in conformity with the norm 60335-2-48 (2008)

9. ELIMINATION OF THE ELECTRIC AND ELECTRONIC WASTE

The device respects the directives:

2002/96/CE (DEEE) N°34270064800021
2002/95/CE (ROHS)
2066/95 CE
2004/108 CE



- | | |
|------------------------------|---------------------------------------|
| 1 PDS commutator | 2 Energy regulator |
| 3 Control pilot light | 4 On/off pilot light |
| 5 Commutator | 6 Plate detection system (PDS) |

5. FUNCTIONING / MANIPULATION

a) Installation / assembly:

- Unpack carefully the device of its packaging.
- Place the salamander on a plane and heatproof surface.
- Never place the device near a wall or near a partition makes of combustible materials even if it is very well isolated.
- A distance of minimum 50 cm with the partition or the wall is necessary.
- Remove the protective film from the top, the rear, the sides and the tray.
- Unlock the movable top by unscrewing the screw located on the back of the machine thanks to a 10 pipe key.
- In case of connection directly to the electrical network, a disconnection mode has to be planned in conformity with the norms.

CAUTION :

During use: never place the machine on surfaces or near walls, partitions or kitchen furniture and similar— except if they are made with a non combustible material or recovered with non combustible thermic insulation, and pay attention to fire preventions rules.

b) First starting:

During the first use, warm your machine up outside to evacuate residual smokes of manufacturing oil from the metallic parts. This may emit a slight smell for a few moments.

First cleaning

Clean the device before the first use. (See 6. Cleaning)

Connection of the device

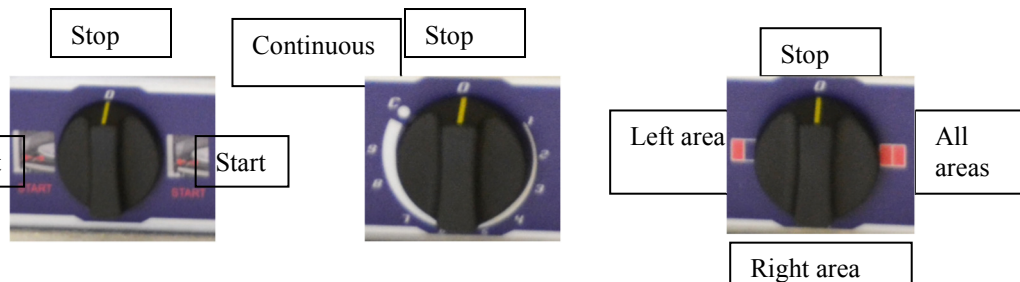
- Check that the tension and the frequency of the electricity network suit to the values indicated on the descriptive plate.
- Make sure that every control knob is positioned on 0.
- Unwind completely the electric power cable and connect it in a plug connected with the earth.
- The device is connected.

NB: in case of connection of the device in a plug without earth protection or directly on the electricity network, confide its connection to a qualified person .

c) Use of device :

Elements of command and display

Command/Display	Function
PDS commutator (n°1 on picture)	Plate detection system on/off
Energy regulator (n°2 on picture)	Regulate the heating power
Orange pilot light (n°3 on picture)	Heating up (pilot light on)
Green pilot light (n°4 on picture)	On/off for each cooking area (pilot light on)
Commutator 4 positions (n°5 on picture)	Cooking area selection



Putting on

Turn on the commutator control knob (n°5 on picture) on wished position according to desired cooking zone to be used and the energy regulator (n°2 on picture) on wished power.

The pilot lights (n°3 and 4 on picture) ignite.

To use the plate detection system (PDS), set the commutator on Start position and the energy regulator on position C.

The cooking with infrared radiation does not need preheating.

Stopping the appliance

- Set the commutator control knob, the PDS commutator and the energy regulator on 0
- Disconnect the power cable.
- Let the device cool it down
- Clean the appliance. (see 6. Cleaning)

d) Breakdown / repair:

In case of breakdown or of damaged part, please call your after-sales service and confide any technical operation to qualified person.

When you contact the after-sales service of your distributor or your store, give him the complete reference of your device (commercial name, type and serial number). This information appears on the visible descriptive plate behind the device.

6. CLEANING AND MAINTENANCE

Disconnect the device.

- Let cool completely the device before any technical intervention or cleaning.
- Never clean the ceramic glass when it is hot
- Clean regularly the external walls of your device with warm water and wash liquid: avoid the abrasive towelling. Rinse your device with a wet sponge.
- Never clean the device under a water jet, the infiltrations would risk to damage it in a irreparable way.
- Never immerse the device, the cord or the plug in the water or quite other liquid to avoid any electric shock.
- During a prolonged non-use, we recommend you strongly to keep the device shielded from the humidity.